

**EPAUS**  
*...the people who care*



**Creative Lifting Services Inc.**

303-659-8102 [creativelifting.com](http://creativelifting.com)

# Trailer Crane

## PTK 31



**STRONG. STABLE. DURABLE.**  
**EVERY DAY.**

# PTK 31

## Overview

### CONVENIENT

Ergonomic remote control with an integrated analysis display showing all relevant operating data.



**Watch the Video**  
Maintenance-friendly assembly



### MAINTENANCE-FRIENDLY

Wide-opening service hatches provide excellent access to engine components, with very effective sound insulation.

### FLEXIBLE

Extendable jib with a hydraulic articulated joint.

### SIMPLE

Hydraulic drive system and a lowerable rear axle operated via remote control.

**Watch the Video**  
Lowerable rear axle



### PROTECTED

KTL-treated chassis with powder coating and cavity sealing.

### SPACE-SAVING

Retractable drawbar reduces the required setup area.

**Watch the Video**  
Retractable drawbar



### SAFE

Fully rotatable 360° under full load, even with narrow stabilization.

### MOBILE

Extremely versatile with individually foldable and telescoping supports.

# Ready for Any Task!

## PTK 31

### Exceptionally Versatile

The PAUS trailer crane PTK 31 is the ideal solution for a wide range of industries, such as timber construction or window, glass, and interior installation, where maximum flexibility and efficiency are essential. Its intuitive operation makes the PTK 31 perfect for rental use, delivering immediate economic benefits. With a payload of up to 1,600 kg (3,527 lbs) and a maximum extension length of 30.5 m (101 ft), the PTK 31 effortlessly handles demanding lifting and transport tasks.

Thanks to its innovative, interlocked aluminum profiles, the crane remains both lightweight and stable. Its four individually foldable and telescoping supports ensure secure operation even on tight or uneven terrain, such as stairs or high curbs. The PTK 31 – delivering maximum performance with minimal effort.

### Standards that Convince

The PAUS trailer crane PTK 31 sets new benchmarks in performance and reliability. The torsion-resistant telescopic profiles made of high-strength aluminum enable heavy loads and extended reach. The ergonomic remote control with toggle switches, integrated analysis display, and relevant operating data ensures simple and intuitive operation. A KTL-treated chassis with powder coating guarantees a long service life, even under challenging conditions. The standard 360° endless rotation allows flexible operation without the need to reposition the crane on-site.



[Watch the Video](#)  
Trailer Crane PTK 31  
in window construction



### COMFORT PACKAGE

## Efficiency and Ease of Use Combined

The comfort package of the PTK 31 offers smart features controlled via remote control for enhanced efficiency:

- Easy setup with support automation
- Lowerable rear axle for effortless maneuvering
- Sensitive yet powerful hydraulic high-performance wheel drive controlled by remote

# Low Space Requirement in Confined Areas

The PAUS trailer crane PTK 31 impresses with an exceptionally narrow passage width of only 1.96 m (6.43 ft) – a unique feature in the market. This makes the crane a reliable partner even in confined spaces and narrow entrances, ensuring high flexibility on your construction sites.

## Flexibility in Everyday Work with Variable Support

- Equipped with individually foldable and telescoping supports, the PAUS trailer crane remains exceptionally versatile
- A minimal stabilization width of just 3.30 m (10.83 ft) ensures a secure position even in the tightest spaces

The PTK 31 – for maximum efficiency and mobility wherever it matters most.



**Watch the Video**  
Trailer Crane PTK 31  
Small drive-through width



**Watch the Video**  
Trailer Crane PTK 31  
in confined spaces



---

# Variety of Options

## Fall Protection Equipment

The PAUS trailer crane PTK 31 offers optimal safety for working at height with the optional fall protection system. Equipped with a fall arrest device compliant with EN 360 standards and corresponding safety harness securely attached to the load hook adapter, personnel are reliably safeguarded during operations.

The 10 m (32.8 ft) long retractable safety belt ensures a wide working radius.

The remote control is connected to the crane by cable, providing maximum safety under the principle: "One works, one ensures safety."

The system continuously monitors all safety-relevant conditions to prevent operating errors.

### Your Benefits:

- Easy handling for smooth operation
- High comfort
- Maximum safety in line with current BG standards and European regulations

With the fall protection system of the PTK 31, you, as the person responsible for safety, are on the safe side and can prevent serious accidents caused by falls.





# Variety of Options

## The Green Heart in the Crane

### Electric Drive

At PAUS, environmental friendliness and innovative lifting technology are at the forefront. For the PTK 31 trailer crane, we offer a specially developed, emission-free 400 V electric drive. This low-noise drive is ideal for indoor work and operations in densely populated areas, setting new standards for sustainability and efficiency.



### Sustainability from the Start

Our chassis undergo KTL treatment, powder coating, and cavity sealing – a process that ensures an exceptionally long service life for the crane. Additionally, we minimize the use of plastics and rely on resource-conserving materials to keep environmental impact as low as possible.

#### Your Benefits:

- **Sustainability** in everyday operations with emission-free technology
- **Indoor use** enabled by the low-noise electric drive
- **Durable construction** for a long service life

With PAUS, you choose future-ready solutions that combine environmental awareness with top performance.

### Jib Extension

The jib extension with an integrated load hook facilitates precise placement of elements beneath overhangs, balconies, and roofs.



# PTK 31 in Action

The Solution for Every Construction Site

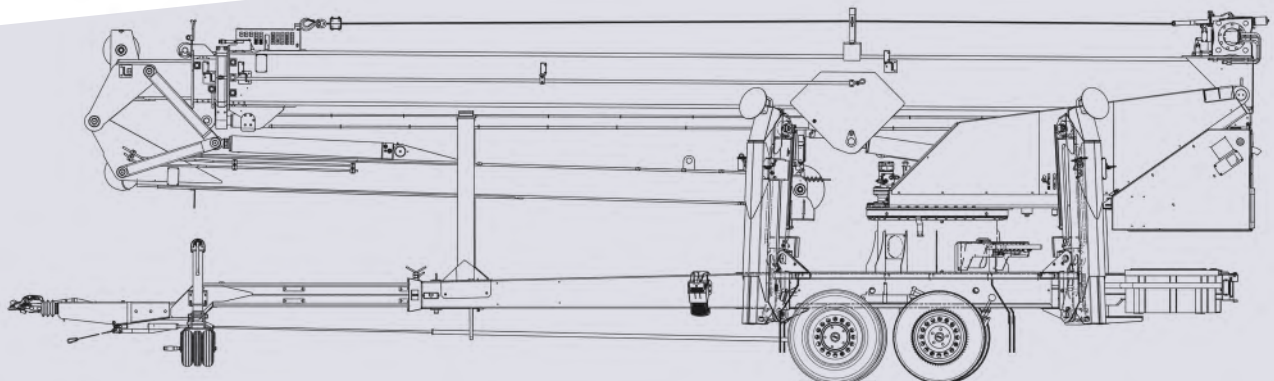


# Technical Data

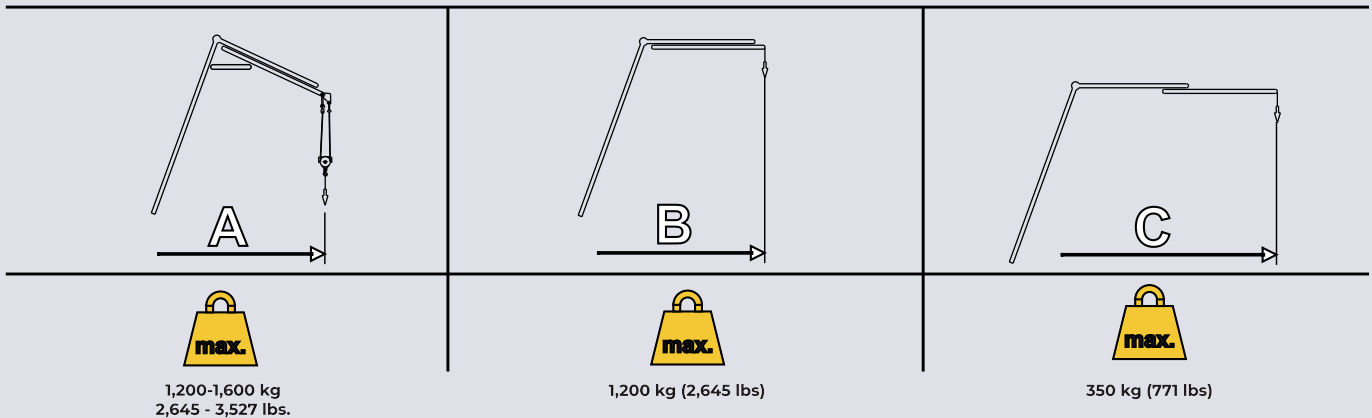
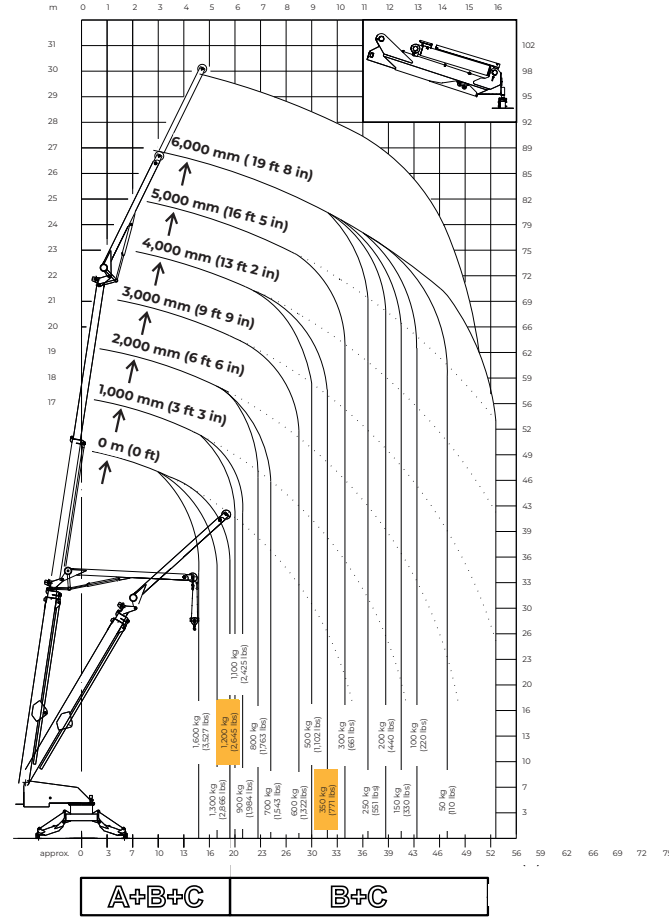
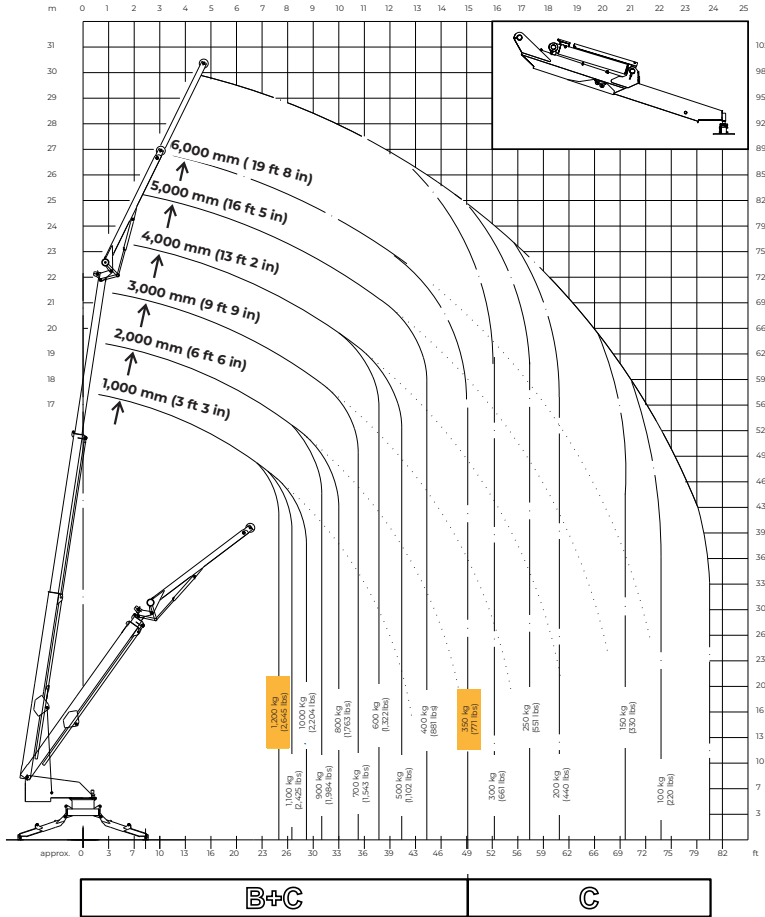
## PTK 31

TECHNICAL DATA	PTK 31
Maximum extension length	approx. 30.5 m (100 ft)
Arm angle	approx. 0° - 173°
Maximum upright angle (articulated boom)	83°
Cable velocity	approx. 0 - 50 m/ min (164 ft/min)
Drive	Petrol / opt. Diesel / opt. Electric
Pivot range	360° endlos
Minimum footprint width	approx. 3.30 m (10 ft 10 in)
Maximum footprint width	approx. 4.80 m (15 ft 9 in)
Maximum payload	approx. 1,600 kg (3,527 lbs)
Transport width	approx. 1.96 m (6 ft 5 in)
Transport height	approx. 2.45 m (8 ft)
Transport length with drawbar	approx. 8.80 m (28 ft 10 in)
Axle load	approx. 3,500 m (7,716 lbs)
Support load	approx. 150 kg (330 lbs)
Total weight	approx. 3,500 kg* (7,716 lbs*)

\*in the basic version.



# Work Diagram



Subject to technical changes. Dimensions may vary slightly.

## We are there, where our customers are

### Maintenance and service:

Repairs and maintenance work are central points in customer service. Paus offers a comprehensive service program to its customers:

- Service on site or in the factory by our technicians
- Service by our trained, regional service partners
- Support for customers with technical inquiries through our service consultant



CUSTOMER SERVICE



SERVICE NETWORK



CONTACT



TRAININGS

## Digital Support



### Troubleshooting your machine remotely

In the event of a machine failure we offer remote maintenance as if we were on site, via remote access or remote control to the technician's desktop. It doesn't matter which Paus machine it is.

Your advantage: affordable, flexible and fast help.

We use the proven TeamViewer program to establish a remote connection via a secure network and provide assistance in the event of a problem.

## Warranties



### Warranties

Our machines are built using our many decades of wide-ranging experience and according to the requirements of our client. Together with our quality management system, certified in accordance with ISO 9001, we achieve a constantly high product quality.

If any problems should nevertheless arise, please contact our local dealer or contact Paus directly.

#### Our services at a glance:

- Central warranty processing at the plant
- Optional warranty extension
- Fast repair and processing

## HERE YOU CAN REACH OUR SERVICE PAGE:

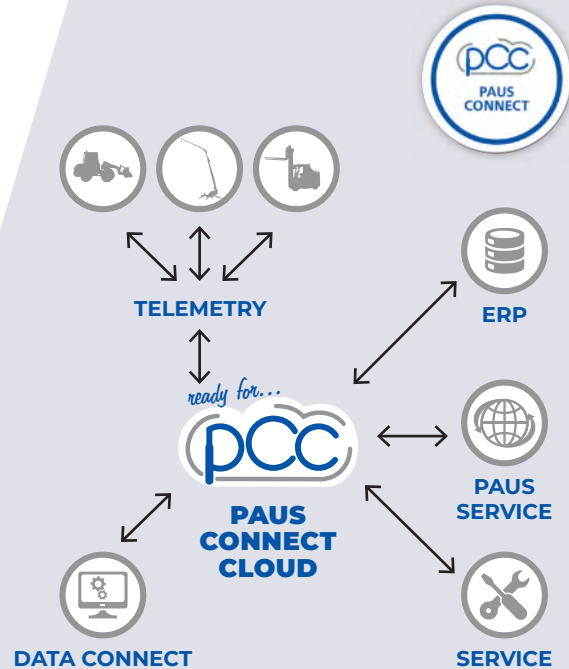
[www.paus.de/en/service-spare-parts](http://www.paus.de/en/service-spare-parts)



# PAUS Connect Cloud

## The Paus monitoring system

The Paus Connect Cloud is a proven system „Made in Germany“. Keep an eye on your machines at all times: see how your machine is being used, monitor messages and be prepared for possible machine maintenance. The system can be installed on Paus machines and integrated into existing networks.



# Spare Parts catalog

## Online spare parts catalog

We place maximum value on high availability of Paus spare parts. Alongside maintenance and service parts that are available at any time, we offer our customers the option to purchase spare parts for engines, axles, transmissions, etc. through us. Additionally, maintenance and service packages are continually available from us.

We guarantee this fast and convenient service thanks to a comprehensive concept, consisting of material planning, stockkeeping and logistics. We thus keep a customized warehouse stock at the Paus central warehouse in Emsbüren available for our customers at any time.

We are also available to help with special consultation, including on-site at our customers' location if necessary.

