



FB GRU

1589.67

(1,543 lb, 89 / 67')



27D80



GRU A TORRE

GA 727D80 | 2500

GRU AUTOMATICA CON
MONTAGGIO IDRAULICO

GA compact



GX



GHS topless



FBGRU
LIFT YOUR GOALS!

FB F.lli Butti s.r.l.

Via XXV Aprile, 58

23868 Valmadrera (LC) - Italia

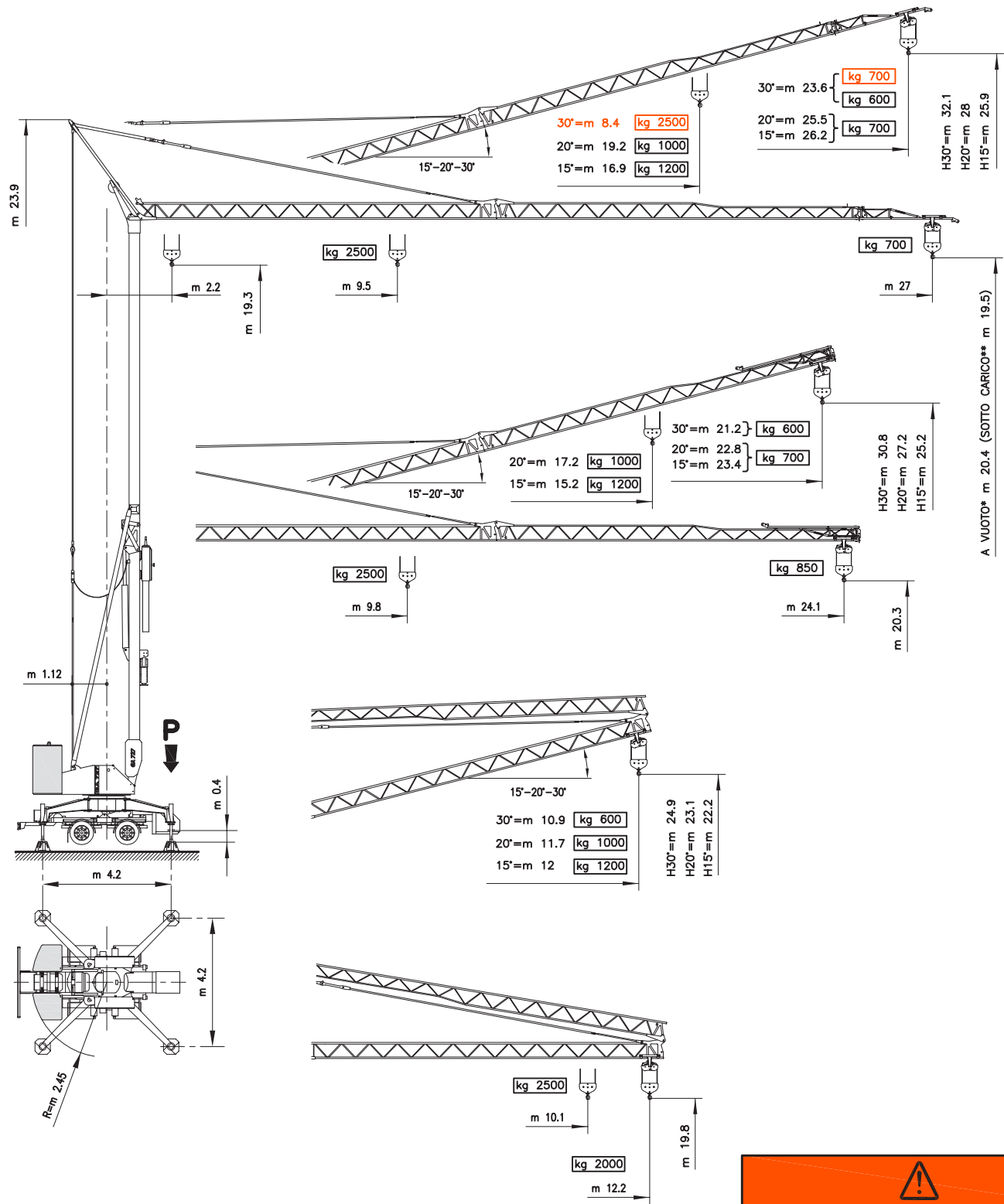
Tel. 0341.581108 - Fax 0341.200253

E-mail : fbgru@fbgru.it - <http://www.fbgru.it>



FEM 1.001 - A3
EN 14439 - C25

GA 727D80 - 2500



* SIN CARGA OFF-LOAD UNBELASTET A VIDE
 ** CARGADO LOADED BELASTET EN CHARGE

!
 In arancione valori configurazione con dispositivo per 30°
 En valores de configuracion naranja con dispositivo para 30°
 In orange, configuration values with device for 30°
 In orange, Konfigurationswerte mit Einrichtung fur 30°
 En rouge le valeurs de configuration avec dispositif pour 30°

P	
kg 14780	kg 14380
<i>In servizio</i>	<i>Fuori servizio</i>
En servicio	Fuera de servicio
In service	Out of service
In betrieb	Außer betrieb
En service	Hors service

 N° 2x4100 kg 21000	 kg 12800

MECCANISMI

MECANISMOS — MECHANISMS
ANTRIEBE — MÉCANISMES

MOVIMENTO MOVIMIENTO MOVEMENT BEWEGUNG MOUVEMENT	ALIMENTAZIONE ALIMENTACION OPERATING VOLTAGE BETRIEBSSPANNUNG TENSION DE SERVICE	PRESTAZIONI FUNCIONAMIENTOS PERFORMANCES LEISTUNGEN EXÉCUTIONS	
---	---	---	--

SOLLEVAMENTO ELEVACION — HOISTING HEBEN — LEVAGE INVERTER	230 V 50 Hz	3 kW	1 ^a m/1' - kg	2 ^a m/1' - kg	3 ^a m/1' - kg	4 ^a m/1' - kg	kW 9.2
		6 kW	3.2 ↑ 6 ↓	8 ↑ 11 ↓	19 ↑ 20 ↓		
	400 V 50 Hz	3 kW	3.2 ↑ 6 ↓	8 ↑ 11 ↓	30 ↑ 32 ↓		
		6 kW	3.2 ↑ 6 ↓	21 ↑ 25 ↓	39 ↑ 42 ↓	46 ↑ 50 ↓	
			2500	2500	700		
			2500	2500	700	600	

CARRELLO CARRILLO — JIB TROLLEY LAUFKATZE — DISTRIBUTION INVERTER	230 - 400 V 50 Hz	1 ^a m/1'	2 ^a m/1'	3 ^a m/1'	kW 2.2
		15	23	41	

ROTAZIONE ROTACION — SLEWING DREHEN — ORIENTATION INVERTER	230 - 400 V 50 Hz	1 ^a g/1'	2 ^a g/1'	3 ^a g/1'	kW 2.2
		0 → 0.19	0.19 → 0.47	0.47 → 0.87	



Conforme alle direttive
CEE sul livello acustico
2000/14/CE

Conforme con las directivas
CEE sobre el nivel acustico

In compliance with the EEC
instructions on noise level

Gemäss EWG-Richtlinien für
den Schall-Leistungspegel

Conforme aux directives CEE
sur le niveau acoustique

CURVE DI CARICO

CURVAS DE CARGAS — LOAD DIAGRAMS
LASTKURVEN — COURBES DE CHARGES

V27

	m	2.2	5	9.5	11	13	15	17	19	21	23	24.1	25	27
	kg	2500			2085	1707	1438	1237	1082	957	856	808	771	700

	m	2.2	5	8	11	13	15	16.9	19	21	23	24	25	26.2
	kg	1200							1043	923	825	778	743	700

	m	2.2	5	8	11	13	15	17	19.2	21	23	24	25	25.5
	kg	1000								893	797	756	718	700

	m	2.2	5	7	9	11	13	15	17	19	20	21	22	23.6
	kg	600												

	m	2.2	5	7	8.4	11	13	15	17	19	20	21	22	23.6
	kg	2500				1790	1462	1229	1055	919	863	811	765	700

POTENZA RICHIESTA

POTENCIA-ELECTRICA NECESARIA — NECESSARY ELECTRIC POWER
KRAFTBEDARF — PUISSANCE ELECTRIQUE NECESSAIRE

	3 kW 230 V - 50 Hz	6 kW 230 V - 50 Hz	12 kW 400 V - 50 Hz
--	-----------------------	-----------------------	------------------------

GA 727D80 - 2500

Con riserva di modifiche
documento commerciale
non vincolante

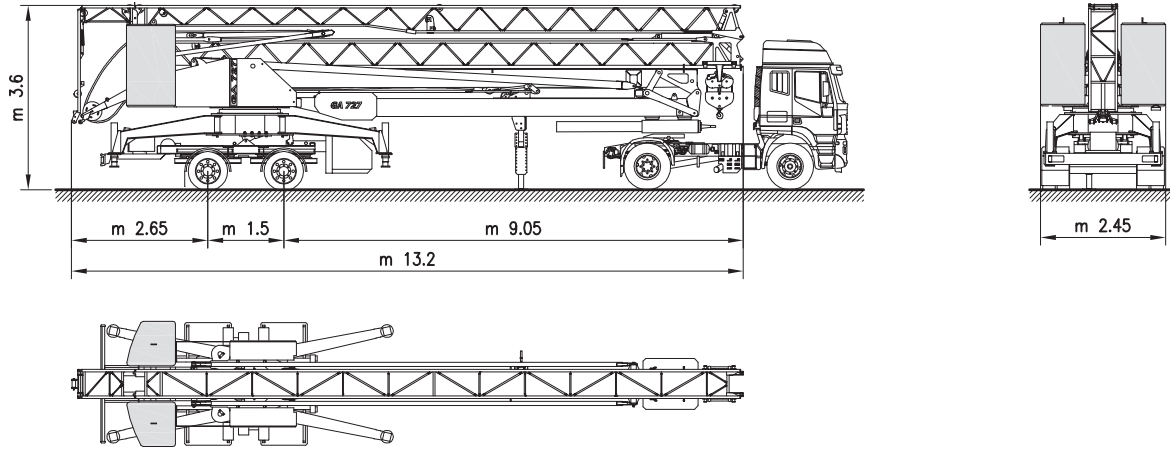
Derecho de modificaciones reservadas
documento comercial no contractual

Subject to change without notice
commercial document not legally
binding

Anderungen vorbehalten
Unverbindliches
Vertriebsdokument

Modifications réservées
document commercial
non contractuel

TRASPORTO TRANSPORTE — TRANSPORT
TRANSPORT — TRANSPORT



MONTAGGIO MONTAJE — ERECTION
MONTAGE — MONTAGE

