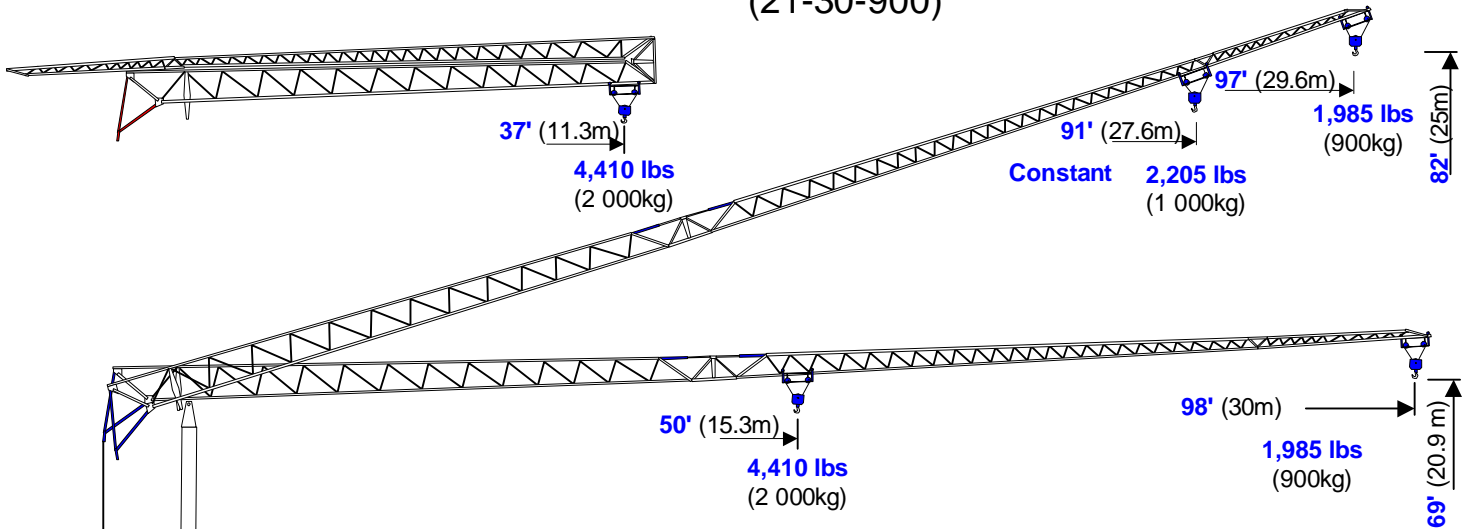




2098 (206)

69' - 98' - 1,985 lbs
(21-30-900)

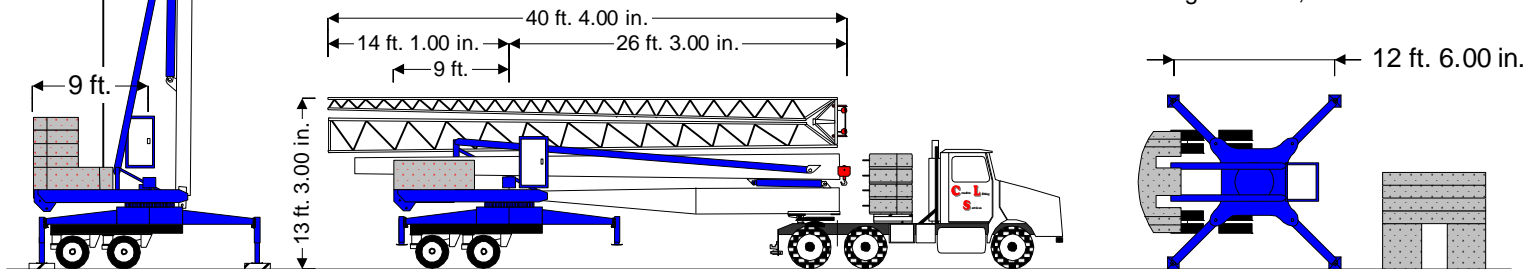


Power Requirements

Single Phase OR Three Phase
240V or 480V

Crane Weight: 22,490 lbs
Base Ballast X 2 8,820 lbs
Axles 4,500 lbs
Total Towed Weight: 44,630 lbs

Crane Weight: 22,490 lbs
Base Ballast X 2 8,820 lbs
Ballast Blocks X 4 3,860 lbs
Total Ballast: 33,080 lbs
Axles 4,500 lbs
Total Erected Weight: 60,070 lbs



Hook Radius	ft.	50	52	59	66	72	79	85	92	98
	meters	15.3	16	18.0	20.0	22.0	24.0	26.0	28.0	30.0
Maximum Capacities	lbs.	4,410	4,145	3,616	3,197	2,867	2,580	2,359	2,161	1,985
	tonnes	2.00	1.88	1.64	1.45	1.30	1.17	1.07	0.98	0.90

Creative Lifting Services Inc.

Call Kelly or Will Phone: 303-659-8102 Fax: 303-659-5314

kelly@creativelifting.com will@creativelifting.com www.creativelifting.com