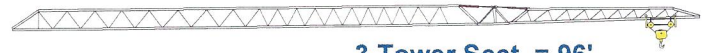
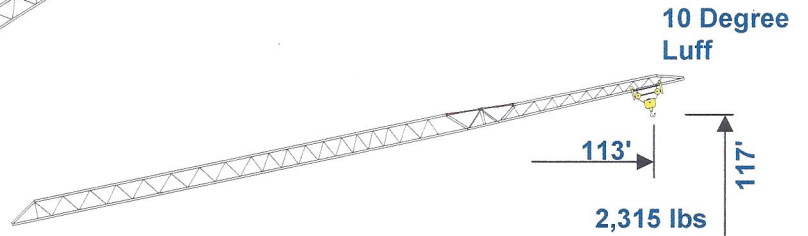
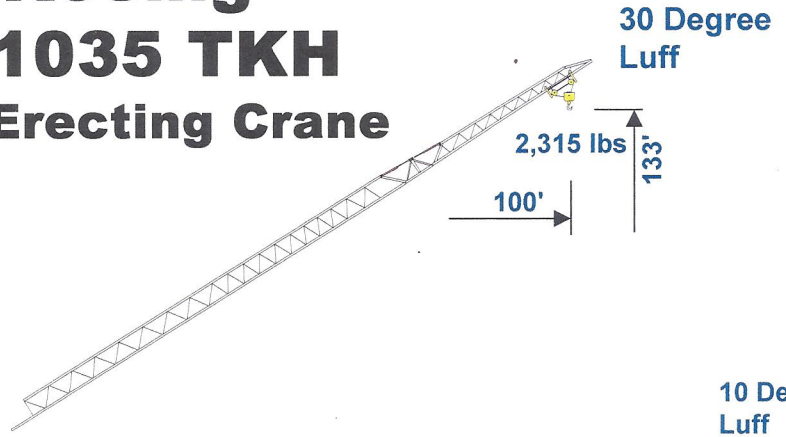




Koenig K 1035 TKH Self-Erecting Crane

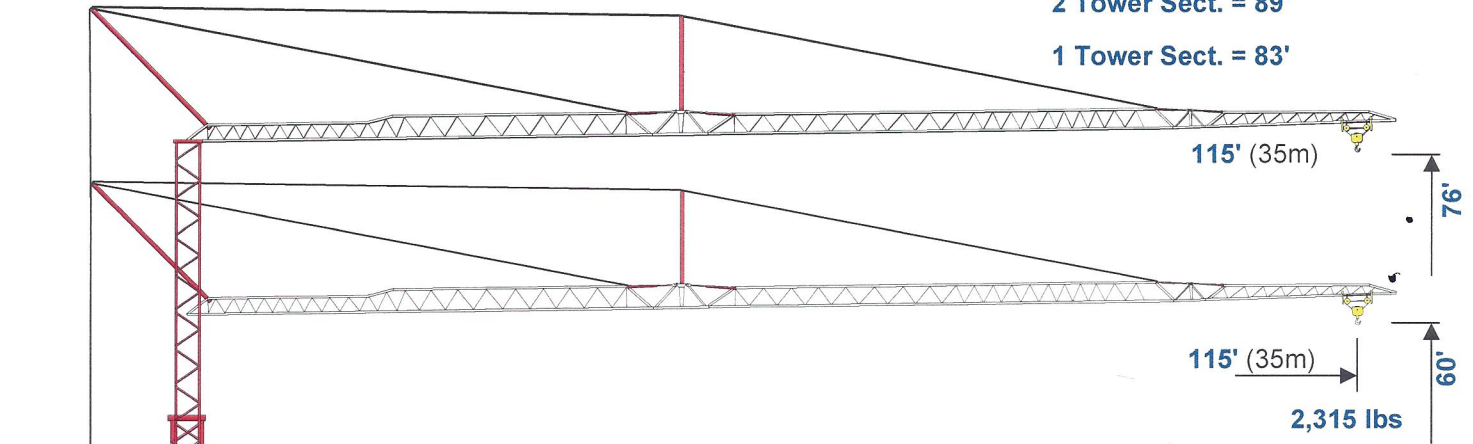


3 Tower Sect. = 96'

2 Tower Sect. = 89'

1 Tower Sect. = 83'

Power Requirements
Three Phase
480V



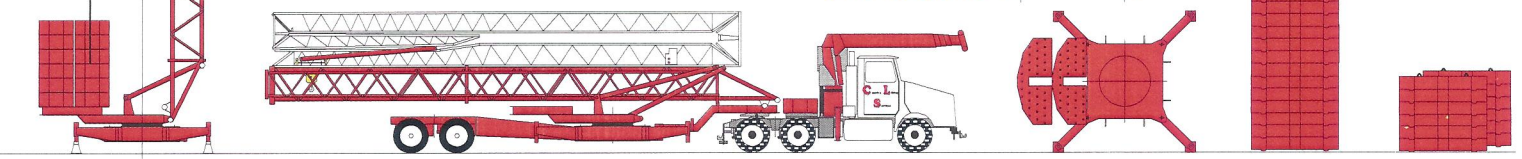
2 m Ballast Blocks: 14 X 3,804 lbs = 53,250 lbs
3 m Ballast Blocks: 12 X 3,804 lbs = 45,648 lbs
Crane Weight: = 28,000 lbs

9 ft. 10.00 in.

6 ft. 6.00 in.

9 ft. 10.00 in.

Slew Radius
6' 6" (2 m) Slew Radius
9' 10" (3 m)



12 ft. 6.00 in.

12 ft. 6.00 in.

Creative Lifting Services Inc.

Call Kelly or Will Phone: 303-659-8102 Fax: 303-659-5314
kelly@creativelifting.com will@creativelifting.com www.creativelifting.com