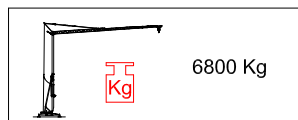
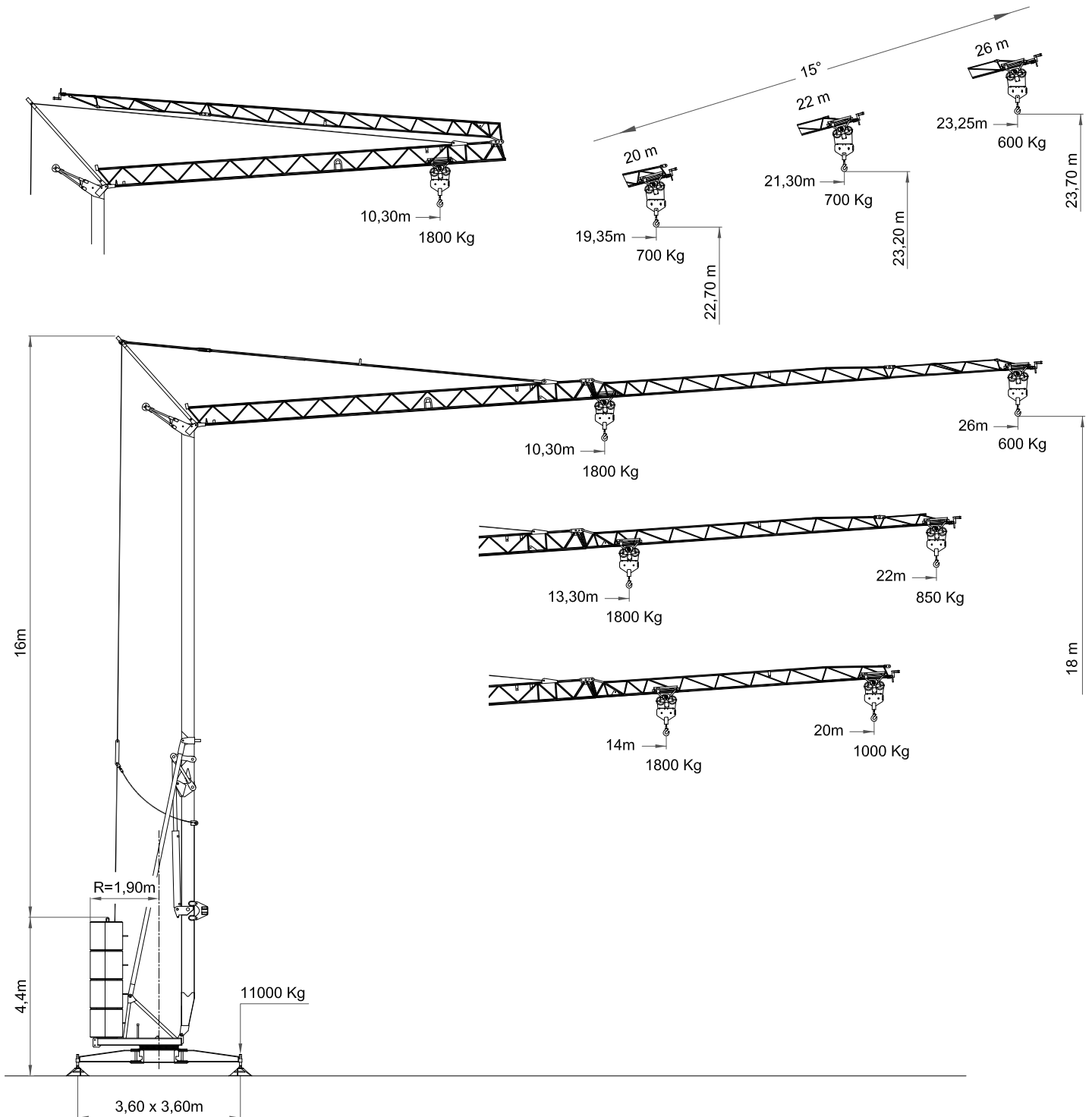
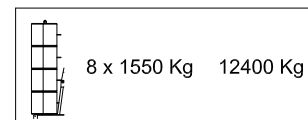



**H26**



Peso del lastre / weight ballast



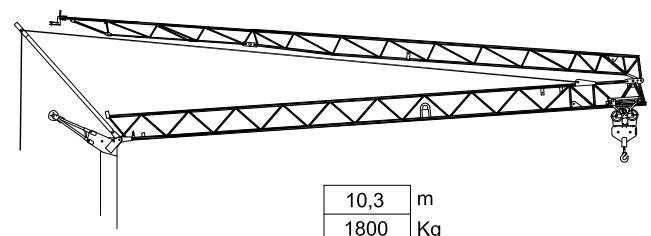
 Peso de la grúa sin lastre / Dead weight without ballast / Kontruktionsgewicht ohne ballast / Poids de construction sans lest / Peso della gru senza zavorra

**Creative Lifting Services Inc.**

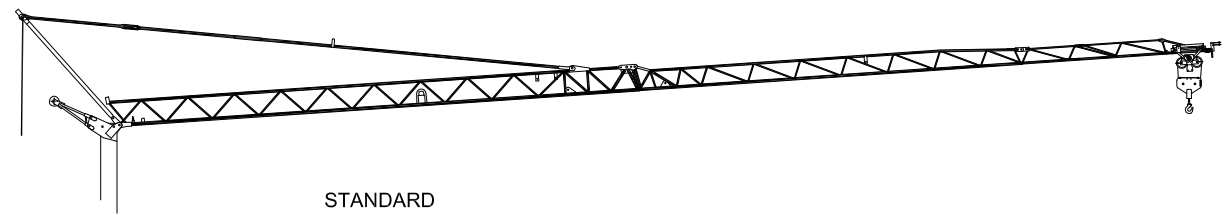
Call Kelly or Will Phone: 303-659-8102 Fax: 303-659-5314

kelly@creativelifting.com will@creativelifting.com www.creativelifting.com




Curva de cargas - Loads diagrams - Lastkurven - Courbes de charges - Curve di carico

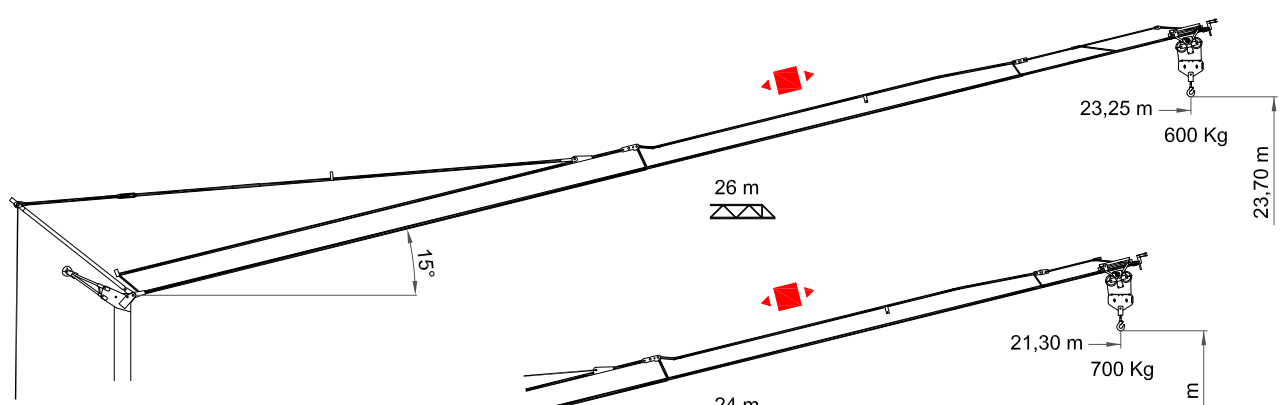


10,3 m  
1800 Kg

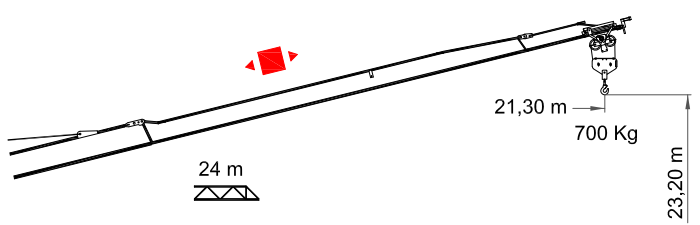


STANDARD

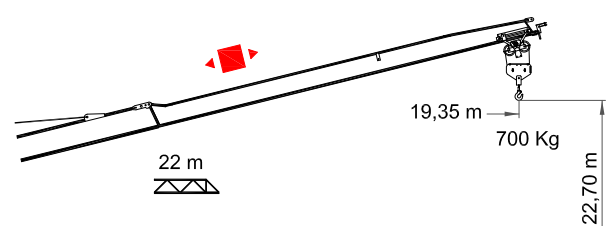
26 m	10,3	14	16	18	20	22	26	m
	1500	1305	1120	975	865	775	600	Kg
22 m	10,3	14	16	18	20	22	m	
	1500	1425	1225	1070	950	850	Kg	
20 m	10,3	16	18	20	m			
	1500	1290	1130	1000	Kg			






23,25 m  
600 Kg  
23,70 m



21,30 m  
700 Kg  
23,20 m








19,35 m  
700 Kg  
22,70 m



24 m	0	23,25	m
		800	Kg
22 m	0	21,30	m
		800	Kg
20 m	0	19,35	m
		800	Kg

## Mecanismos - Mechanisms - Antriebe - Mécanisme - Meccanismi


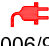
5,5Hp (5.5Kw) INV  
H.B.G. 18m S/R Ø8mm

					
	105m	m/min	4	12,5	35
		Kg	1800	1300	600
		Kw	5,5		
		m/min	37		
		Kw	1,1		
		r.p.m	0,25	0,5	0,8
		N.m.	25		
		Kw	2,2		

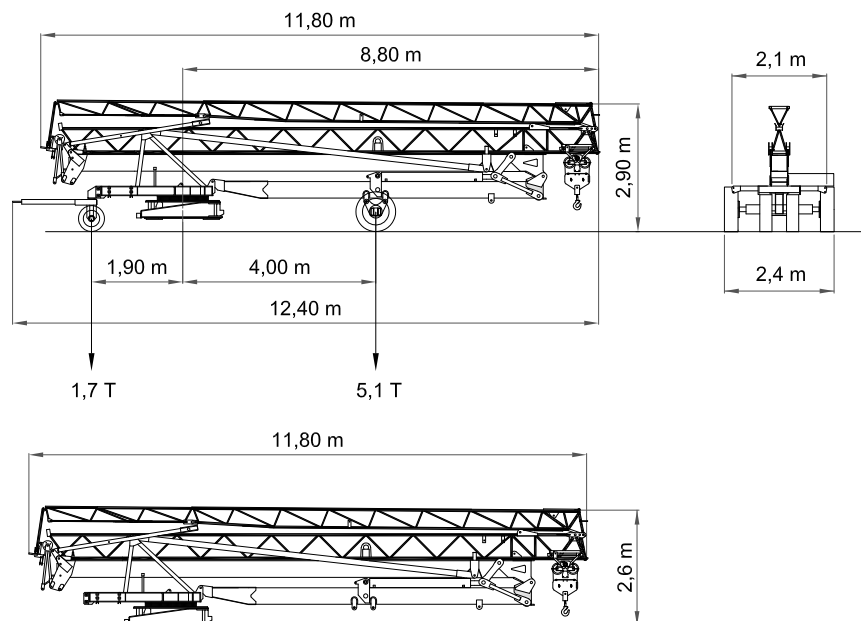
20Hp (5,5Kw) - INV

 2000/14/CEE 2005/88/CEE	 2006/95/CEE	400V 50Hz I <sub>max</sub> = 14A Fuse= 16A 480V 60Hz I <sub>max</sub> = 11A Fuse= 15A	TOTAL POWER 11 KVA	GENERATOR 14 KVA	100m 4x6mm <sup>2</sup>	150m 4x6mm <sup>2</sup>	200m 4x6mm <sup>2</sup>
---	--	--	-----------------------	---------------------	----------------------------	----------------------------	----------------------------

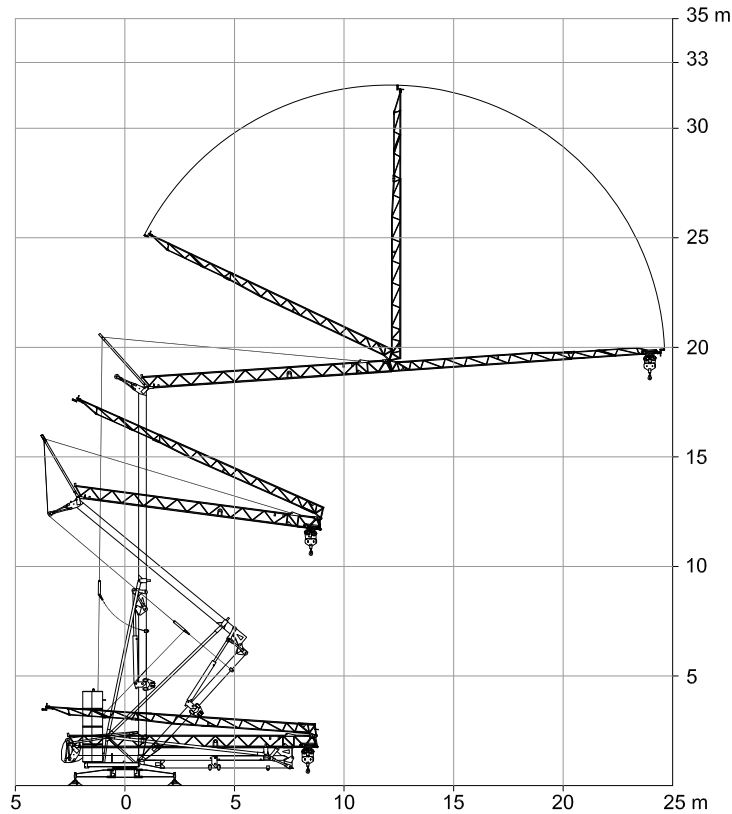
20Hp (5,5Kw) - INV

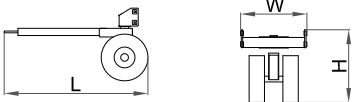
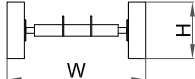
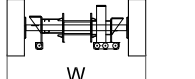
 2000/14/CEE 2005/88/CEE	 2006/95/CEE	230V 50Hz I <sub>max</sub> = 32A Fuse= 32A	TOTAL POWER 7.4 KVA	GENERATOR 14 KVA	100m 5x6mm <sup>2</sup>	150m 5x6mm <sup>2</sup>	200m 5x6mm <sup>2</sup>
---	--	--	------------------------	---------------------	----------------------------	----------------------------	----------------------------

-  Elevación / Hoisting / Heben / Levage / Sollevamento
-  Distribución / Trolleying / Katzfahren / Distribution / Distributions
-  Orientación / Slewing / Schwenken / Orientation / Rotazione
-  Montaje / Erection / Montage / Montaggio



## Montaje - Erection - Montage - Montaggio



		L (m)	W (m)	H (m)	Kg
<b>Eje de transporte delantero</b> Road transport axle front / Transportachse vorne / Essieux de transport avant / Asse di trasporto anteriore		1,96	0,96	1,00	312
<b>Eje de transporte trasero</b> / Road transport axlebehind / Transportachse hinten / Essieux de transport arrière / Asse di trasporto posteriore		0,89	2,40	0,89	346
<b>Eje de transporte trasero con freno</b> Transportachse hinten mit brense / Essieux de transport arrière avec frein / Asse di trasporto posteriore con freno		1,25	2,40	1,35	690