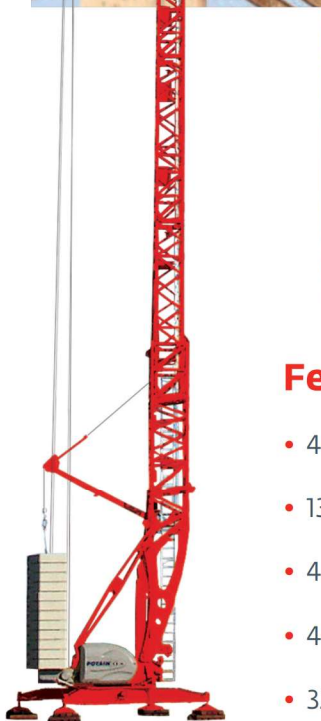


Potain Igo T 70

Product Guide



Features

- 4000 kg (8818 lb) maximum capacity
- 1300 kg (2866 lb) capacity at 40 m (131 ft)
- 40 m (131 ft) maximum operating hook radius
- 44,5 m (146 ft) maximum hook height with jib set at 30°
- 32 m (105 ft) maximum hook height with jib horizontal
- Variable height mast from 15 m (49 ft) to 32 m (105 ft) with optional mast inserts

Features



Radio remote control

Standard wireless radio remote control with indicators and auxiliary control unit can be supplemented with an optional tethered joystick control unit with 30 m (98 ft) cable.



Mast inserts

Increase your working height by up to 12 m (39.4 ft) with optional mast inserts. Each insert is 6 m (19.7 ft) and provides the operator with two (2) additional heights under hook.

Vision cab 140CN

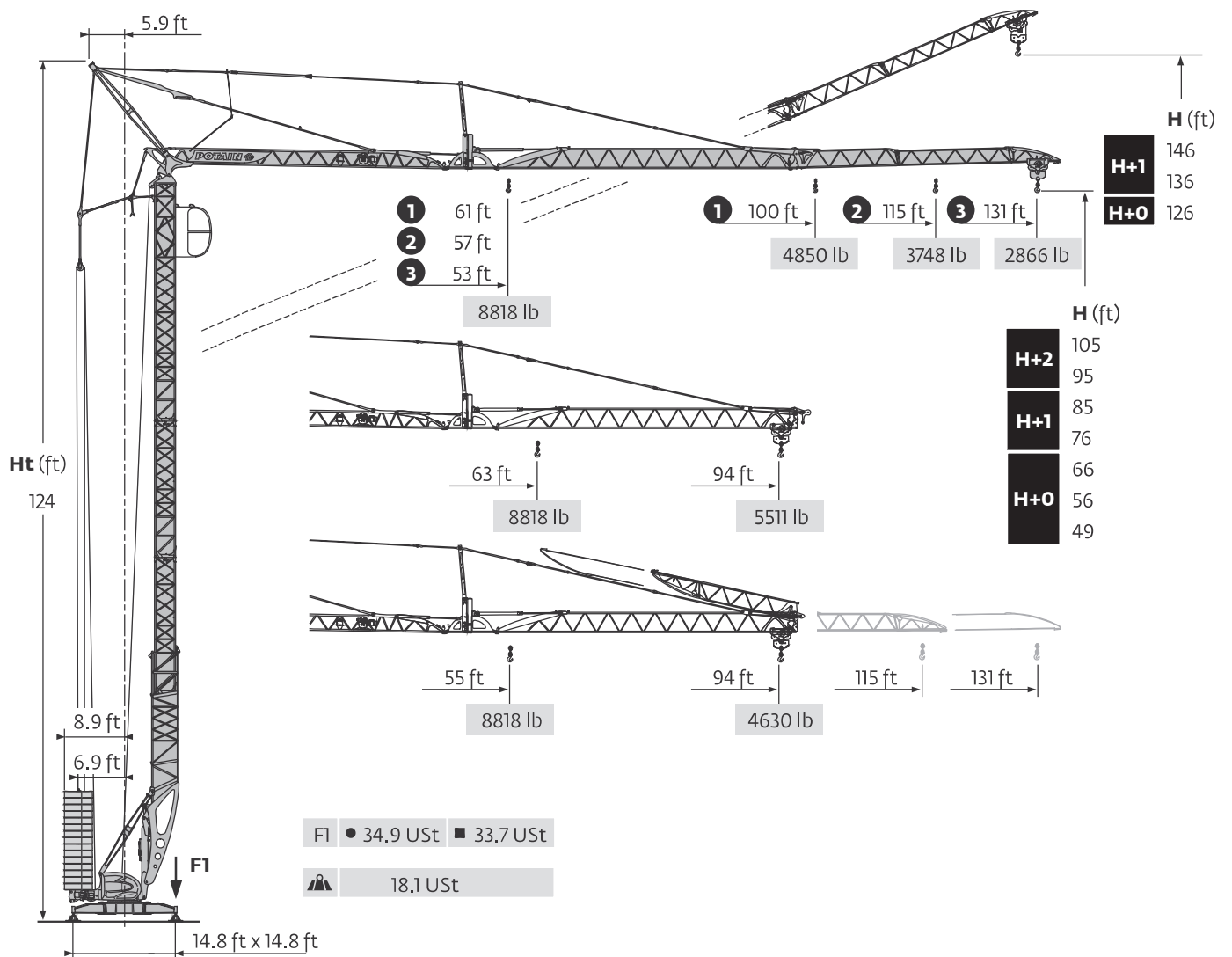
The optional Vision 140CN cab bolts onto the crane at a fixed height. Controls are integrated into the cab and operator's seat provides ergonomic comforts from an aerial position.



Transport axle set

Simplify road transport with Potain's optional transport axle set, SL122 / J215M, and adaptation kit 203. This trailer adjusts pneumatically and travels at speeds up to 80 km/h (50 mph).

Dimensions



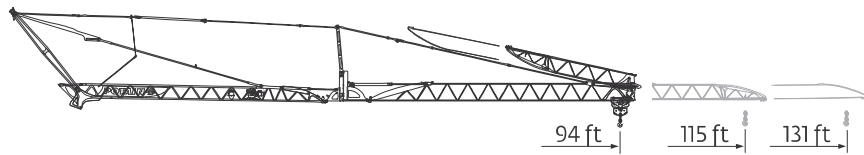
Load charts and mechanisms

131 ft	10 ▶	52	59	66	72	79	85	86	92	98	105	112	118	125	131	ft	
		8818	7650	6746	5997	5401	4894	4850	4475	4101	3792	3527	3285	3064	2866	lb	
									4850	4475	4101	3792	3527	3285	3064	2866	lb

115 ft	10 ▶	57	59	66	72	79	85	92	93	98	105	112	115	ft
		8818	8378	7385	6592	5930	5379	4916	4850	4519	4189	3880	3748	lb
									4850	4519	4189	3880	3748	lb

100 ft	10 ▶	61	66	72	79	85	92	98	100	ft
		8818	8047	7165	6460	5886	5379	4938	4850	lb
									4850	lb

94 ft	10 ▶	63	66	72	79	85	92	94	ft
		8818	8400	7496	6768	6151	5622	5512	lb
								4850	lb

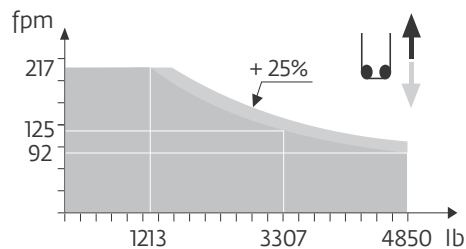


94 ft	10 ▶	55	59	66	72	79	85	90	92	94	ft	
		8818	8069	7099	6327	5710	5181	4850	4740	4630	lb	
									4850	4740	4630	lb

		👤					👤👤					hp	kW	
▲	15 LVF 11 Optima	fpm	11	59	92	125	217	6	30	46	62	108	15	11
▼		lb	4850	4850	4850	3307	1213	8818	8818	8818	6614	2425		
◀▶	3 DVF 5	fpm	49 - 98 - 148 (0 lb → 2866 lb) - 49 - 98 - 135 (2866 lb → 8818 lb)									3	2.2	
🌀	RVF 51 Optima +	rpm	0 → 0.8									5.5	4	
◀●▶	❗													

CEI 38	IEC 38	kVA
400 V (+6% -10%) 50 Hz		15 LVF 11 : 23 kVA
480 V (+6% -10%) 60 Hz		15 LVF 11 : 23 kVA

15 LVF 11 Optima

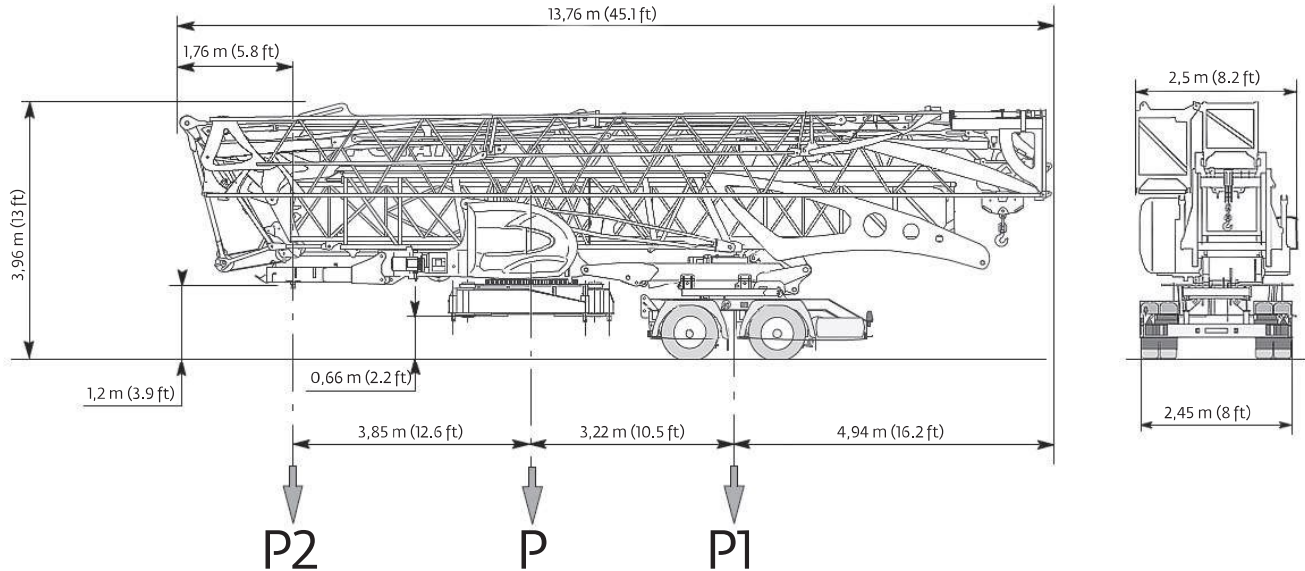


THIS CHART IS ONLY A GUIDE AND SHOULD NOT BE USED TO OPERATE THE CRANE.

The individual crane's load chart, operating instructions and other instructional plates must be read and understood prior to operating the crane.

Courtesy of Crane.Market

SL122 / J215M 80 km/h / 50 mph



*Other axle sets are available.

Chassis data (in transport position)

	DJ100 / S120 10 km/h / 6 mph		DJ105 / S125 25 km/h / 15.5 mph		SL122/ J215M 80 km/h / 50 mph	
	(meters)	(feet)	(meters)	(feet)	(meters)	(feet)
Overall length	14,96	49.08	14,96	49.08	13,76	45.14
Overall height	3,66	12.01	3,66	12.01	3,96	12.99
Overall width	2,50	8.20	2,50	8.20	2,50	8.20
Overhang	4,37	14.34	4,37	14.34	4,94	16.19

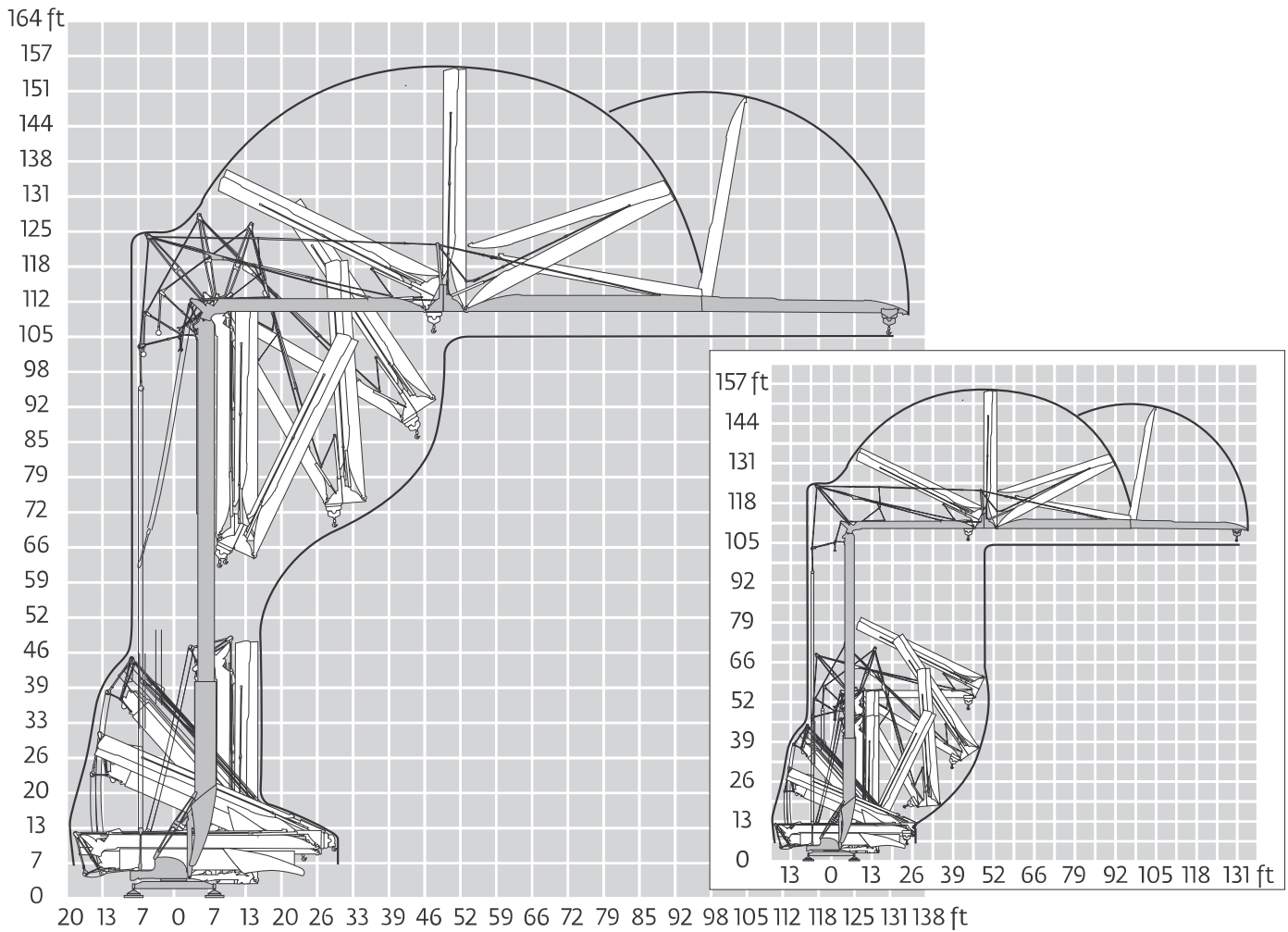
Weights

Crane weight less counterweight:	16 400 kg	36,155 lb
Counterweight for operation (14 slabs):	30 800 kg	67,901 lb
Crane with counterweight:	47 200 kg	104,056 lb

Crane with transport equipment

	DJ100 / S120 10 km/h / 6 mph		DJ105 / S125 25 km/h / 15.5 mph		SL122/ J215M 80 km/h / 50 mph	
	(kilograms)	(pounds)	(kilograms)	(pounds)	(kilograms)	(pounds)
In transport with no counterweight:						
Gross (P)	16 970	37,412	17 260	38,051	18 860	41,578
Rear (P1)	9540	21,032	9750	21,495	13 320	29,365
Front (P2)	7430	16,380	7510	16,556	5540	12,213

Crane profile



There are two possible profiles for the Igo T 70 that are beneficial for erecting and dismantling on congested job sites.