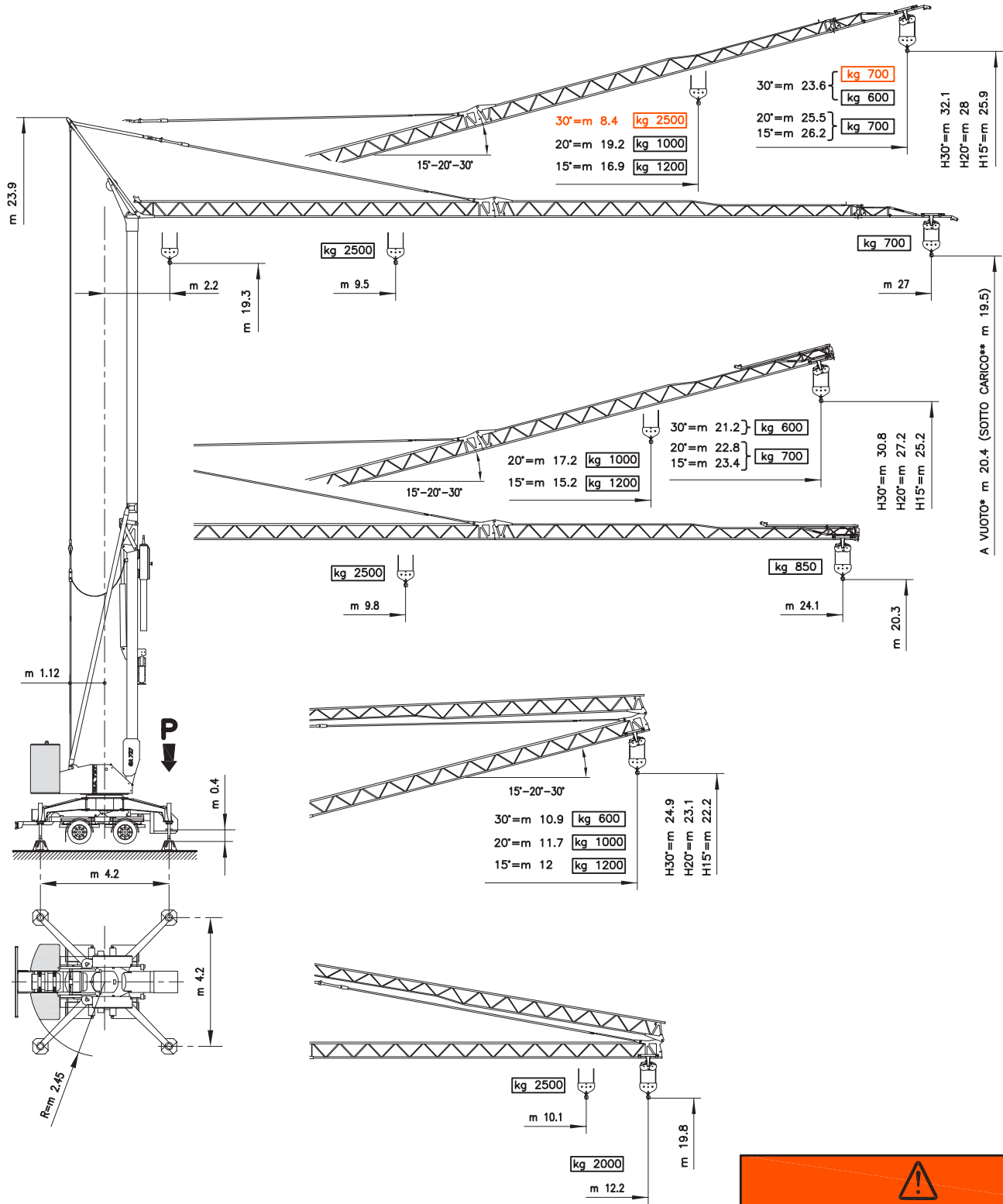


FB 1589.67 (GA727)



FBGRW


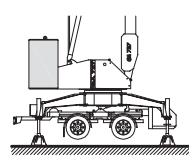
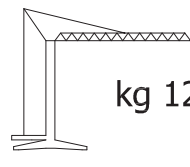
GA 727D80 - 2500



* SIN CARGA OFF-LOAD UNBELASTET A VIDE
 ** CARGADO LOADED BELASTET EN CHARGE

!
 In arancione valori configurazione con dispositivo per 30°
 En valores de configuracion naranja con dispositivo para 30°
 In orange, configuration values with device for 30°
 In orange, Konfigurationswerte mit Einrichtung fur 30°
 En rouge le valeurs de configuration avec dispositif pour 30°

P	
kg 14780 <i>In servizio</i> En servicio In service In betrieb En service	kg 14380 <i>Fuori servizio</i> Fuera de servicio Out of service Außer betrieb Hors service

	
 N° 2x4100 kg 21000	 kg 12800

MECCANISMI

MECANISMOS — MECHANISMS
ANTRIEBE — MÉCANISMES

MOVIMENTO MOVIMIENTO MOVEMENT BEWEGUNG MOUVEMENT	ALIMENTAZIONE ALIMENTACION OPERATING VOLTAGE BETRIEBSSPANNUNG TENSION DE SERVICE	PRESTAZIONI FUNCIONAMIENTOS PERFORMANCES LEISTUNGEN EXÉCUTIONS	
---	---	---	--

SOLLEVAMENTO ELEVACION — HOISTING HEBEN — LEVAGE INVERTER	230 V 50 Hz	3 kW	1 ^a m/1' - kg	2 ^a m/1' - kg	3 ^a m/1' - kg	4 ^a m/1' - kg	kW 9.2
		6 kW	3.2 ↑ 6 ↓	8 ↑ 11 ↓	19 ↑ 20 ↓		
	400 V 50 Hz	3 kW	3.2 ↑ 6 ↓	8 ↑ 11 ↓	30 ↑ 32 ↓		
		6 kW	3.2 ↑ 6 ↓	21 ↑ 25 ↓	39 ↑ 42 ↓	46 ↑ 50 ↓	

CARRELLO CARRILLO — JIB TROLLEY LAUFKATZE — DISTRIBUTION INVERTER	230 - 400 V 50 Hz	1 ^a m/1'	2 ^a m/1'	3 ^a m/1'	kW 2.2
		15	23	41	

ROTAZIONE ROTACION — SLEWING DREHEN — ORIENTATION INVERTER	230 - 400 V 50 Hz	1 ^a g/1'	2 ^a g/1'	3 ^a g/1'	kW 2.2
		0 → 0.19	0.19 → 0.47	0.47 → 0.87	



Conforme alle direttive
CEE sul livello acustico
2000/14/CE

Conforme con las directivas
CEE sobre el nivel acustico

In compliance with the EEC
instructions on noise level

Gemäss EWG-Richtlinien für
den Schall-Leistungspegel

Conforme aux directives CEE
sur le niveau acoustique

CURVE DI CARICO

CURVAS DE CARGAS — LOAD DIAGRAMS
LASTKURVEN — COURBES DE CHARGES

V27

	m	2.2	5	9.5	11	13	15	17	19	21	23	24.1	25	27
	kg	2500			2085	1707	1438	1237	1082	957	856	808	771	700

	m	2.2	5	8	11	13	15	16.9	19	21	23	24	25	26.2
	kg	1200							1043	923	825	778	743	700

	m	2.2	5	8	11	13	15	17	19.2	21	23	24	25	25.5
	kg	1000								893	797	756	718	700

	m	2.2	5	7	9	11	13	15	17	19	20	21	22	23.6
	kg	600												

	m	2.2	5	7	8.4	11	13	15	17	19	20	21	22	23.6
	kg	2500				1790	1462	1229	1055	919	863	811	765	700

POTENZA RICHIESTA

POTENCIA-ELECTRICA NECESARIA — NECESSARY ELECTRIC POWER
KRAFTBEDARF — PUISSANCE ELECTRIQUE NECESSAIRE

	3 kW 230 V - 50 Hz	6 kW 230 V - 50 Hz	12 kW 400 V - 50 Hz
--	-----------------------	-----------------------	------------------------

GA 727D80 - 2500

Con riserva di modifiche
documento commerciale
non vincolante

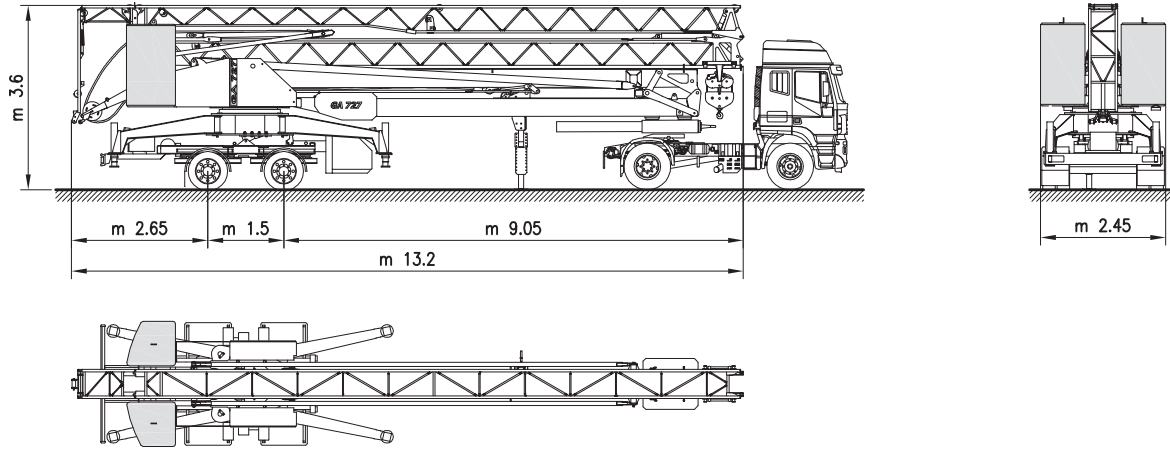
Derecho de modificaciones reservadas
documento comercial no contractual

Subject to change without notice
commercial document not legally
binding

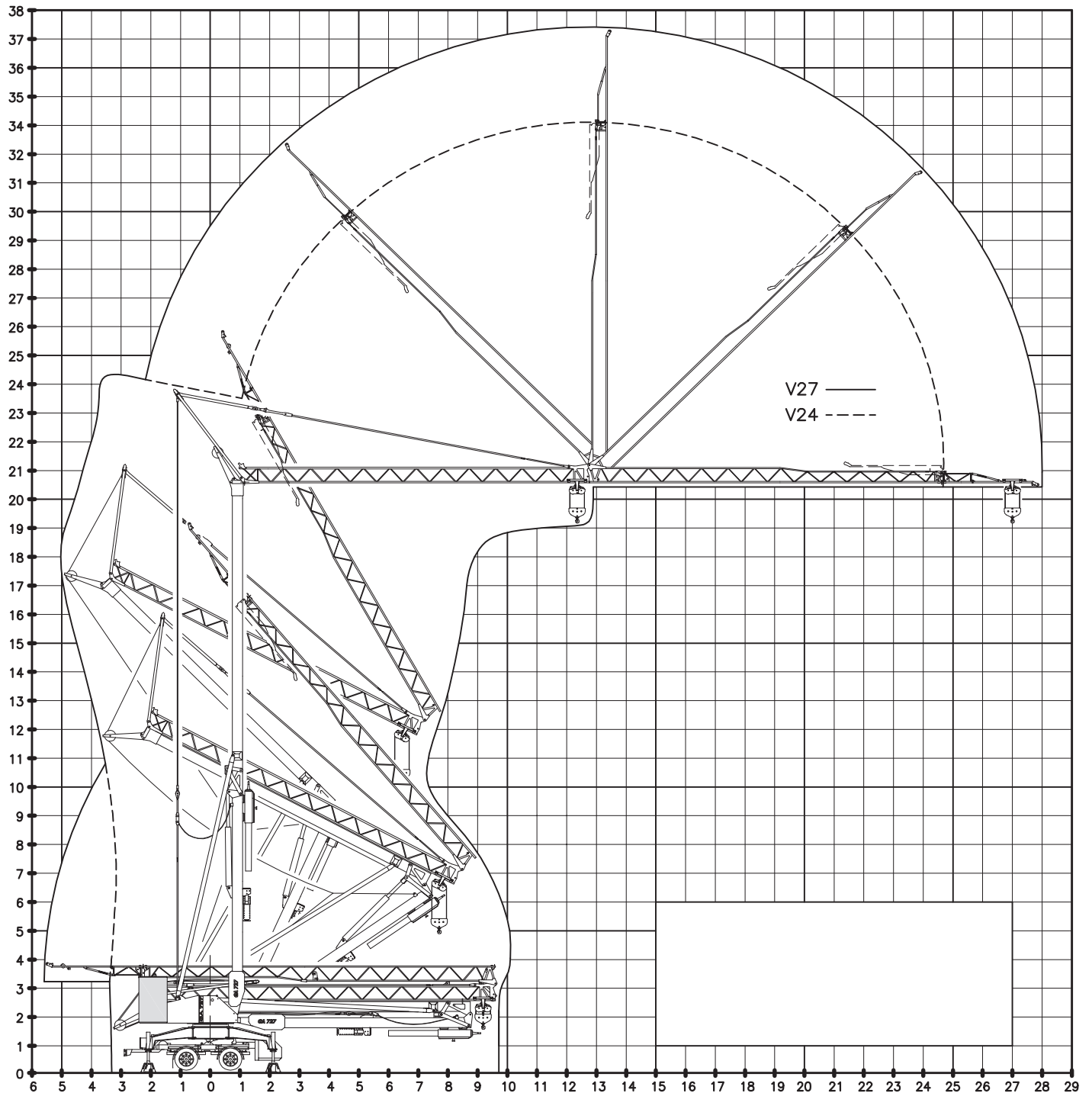
Anderungen vorbehalten
Unverblindiches
Vertriebsdokument

Modifications réservées
document commercial
non contractuel

TRASPORTO TRANSPORTE — TRANSPORT
TRANSPORT — TRANSPORT



MONTAGGIO MONTAJE — ERECTION
MONTAGE — MONTAGE



FBGRU

FB 1589.67 (GA727)

1,545 lb, 89' / 67'

Hydraulic Outriggers



fully self-contained permanent ballast



Creative Lifting Services Inc.

303-659-8102 creativelifting.com